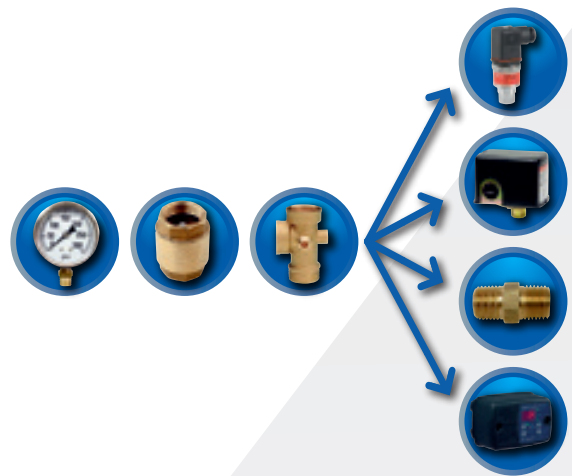
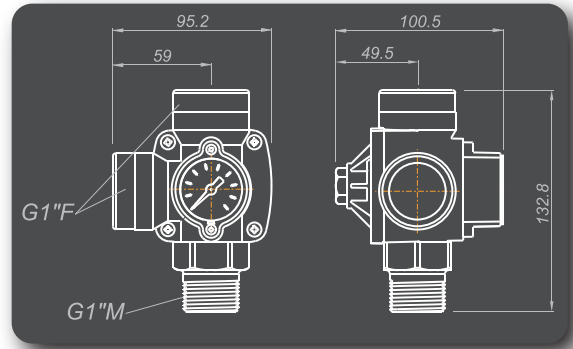


T-Kit Universal

3-ways fitting with inner non-return valve and pressure gauge. It has a G1/4" female thread where can be mounted a pressure switch, a pressure transducer or an adapter to any other type of thread.



All T-Kit models (universal, PS2, Ps2+, Switchmatic 1 y Switchmatic 2) have an inner non-return valve.

